



# *EurusBlower*

---

## *MB Series Blower Package*



# Pressure Performance : MB Series 30, 45, 60

## MB Series 30

MODEL	SPEED RPM	4PSIG			6PSIG			8PSIG			10PSIG			12PSIG			15PSIG		
		CFM	BHP	°F	CFM	BHP	°F	CFM	BHP	°F	CFM	BHP	°F	CFM	BHP	°F	CFM	BHP	°F
<b>MB 3004</b>	3000	107	3.5	53	101	4.9	85	96	5.9	118	92	7.3	154						
	4000	155	4.7	49	149	6.5	76	144	7.9	105	140	9.6	135	136	11.3	166	133	13.7	213
	5000	202	5.8	47	197	8	72	192	9.8	99	188	12	126	184	14.2	154	181	17.1	196
<b>MB 3006</b>	3000	162	5.1	51	154	7.2	81	148	8.7	112	144	10.6	100	138	12.4	177			
	4000	231	6.8	48	224	9.5	74	218	11.5	101	213	13.9	130	208	16.3	158			
	5000	300	8.4	46	293	11.6	71	287	14.2	96	283	17.5	122	278	20.5	148			
<b>MB 3007</b>	3000	190	6	48	181	8.3	64	175	10	108	171	12.3	141						
	4000	268	7.8	47	262	11	73	256	13.3	100	251	16.1	128						
	5000	350	9.8	45	342	13.4	70	337	16.5	95	332	20.2	120						

## MB Series 45

MODEL	SPEED RPM	4PSIG			6PSIG			8PSIG			10PSIG			12PSIG			15PSIG		
		CFM	BHP	°F	CFM	BHP	°F	CFM	BHP	°F	CFM	BHP	°F	CFM	BHP	°F	CFM	BHP	°F
<b>MB 4504</b>	2000	173	3.9	51	164	5.6	77	157	7.5	107	150	9.4	140	144	11.3	175	135	14	232
	3000	279	6.3	50	270	8.6	71	263	11.5	98	256	14.4	125	250	17.2	154	240	21.4	199
	4000	385	9.1	53	376	11.8	70	369	15.7	95	362	19.7	121	356	23.6	148	345	29.2	189
<b>MB 4506</b>	2000	259	5.7	49	246	8.4	76	236	11.1	106	226	13.9	138	217	16.7	172	206	20.9	227
	3000	417	9	48	404	12.7	70	394	16.9	96	384	21.2	123	375	25.4	151	364	31.8	195
	4000	575	12.7	49	562	17.2	69	552	23	93	542	28.7	118	533	34.5	144	522	43.1	185
<b>MB 4509</b>	2000	389	8.3	48	371	12.5	75	355	16.6	105	341	20.8	136	329	24.9	169	312	31.2	223
	3000	625	12.6	45	607	18.9	70	591	25.2	95	577	31.5	122	565	37.8	150	548	47.2	193
	4000	861	17	44	843	25.6	68	827	34.1	92	813	42.6	117	801	51.1	143	784	63.9	182
<b>MB 4512</b>	2000	523	11.1	47	499	16.6	75	479	22.2	104	461	27.7	134	444	33.3	167	423	41.6	220
	3000	838	16.8	45	814	25.2	69	794	33.6	95	776	42	121	759	50.4	148	738	63	191
	4000	1153	22.7	44	1129	34.1	67	1109	45.5	92	1091	56.8	116	1074	68.2	142	1053	85.2	181
<b>MB 4518</b>	2000	790	16.6	47	755	25	74	725	33.3	103	699	41.6	133	676	49.9	165			
	3000	1263	25.2	45	1228	37.8	69	1198	50.4	94	1172	63	120	1149	75.5	147			
	4000	1736	34	44	1701	51	67	1671	68	91	1645	85	115	1622	102	141			

## MB Series 60

MODEL	SPEED RPM	4PSIG			6PSIG			8PSIG			10PSIG			12PSIG			15PSIG		
		CFM	BHP	°F	CFM	BHP	°F	CFM	BHP	°F	CFM	BHP	°F	CFM	BHP	°F	CFM	BHP	°F
<b>MB 6010</b>	1500	604	13.1	49	571	19.7	77	544	26.3	108	520	32.9	141	498	39.4	177	468	49.3	235
	2300	1003	20.3	45	970	30.5	70	943	40.7	96	919	50.8	124	897	61	152	867	76.3	196
	3000	1352	26.8	44	1320	40.2	68	1292	53.6	93	1268	67	118	1246	80.4	144	1217	100.5	185
<b>MB 6016</b>	1500	956	20	47	915	30	73	881	40	102	850	50	131	823	60	163	786	75	213
	2300	1564	31	44	1523	46.4	68	1488	61.9	93	1458	77.4	119	1430	92.9	145	1393	116.1	186
	3000	2095	40.8	44	2054	61.2	67	2019	81.7	90	1989	102.1	115	1961	122.5	140	1924	153.1	178
<b>MB 6024</b>	1500	1481	30	45	1430	45	70	1386	60	97	1348	75	124	1314	90	153			
	2300	2392	46.3	43	2341	69.5	66	2298	92.7	90	2260	115.8	115	2225	139	140			
	3000	3189	61	43	3138	91.5	65	3095	122	88	3057	152.5	111	3022	183	135			

# Vacuum Performance: MB Series 30, 45, 60

## MB Series 30

MODEL	SPEED RPM	4"Hg			6"Hg			8"Hg			10"Hg			12"Hg			15"Hg		
		CFM	BHP	°F	CFM	BHP	°F	CFM	BHP	°F	CFM	BHP	°F	CFM	BHP	°F	CFM	BHP	°F
<b>MB 3004</b>	3000	115	2.2	29	109	2.8	47	103	3.5	73	97	4.2	109	91	4.9	156	81	5.9	261
	4000	162	2.8	28	157	3.6	44	151	4.6	57	145	5.5	97	139	6.5	136	130	7.8	218
	5000	209	3.7	27	204	4.6	42	199	5.7	64	193	6.8	91	188	7.9	127	178	9.5	199
<b>MB 3006</b>	3000	171	3.1	29	163	4	46	155	5.1	71	148	6.1	104	140	7.1	148	127	8.6	243
	4000	239	4.1	27	232	5.3	43	225	6.7	65	218	8.1	95	210	9.4	132	198	11.4	208
	5000	308	5.4	27	302	6.7	41	294	8.3	63	287	9.9	90	280	11.5	124	268	13.8	192
<b>MB 3007</b>	3000	199	3.6	28	191	4.7	45	183	5.8	70	175	7.1	102	166	8.2	144	153	10	234
	4000	279	4.8	27	272	6.1	42	263	7.7	65	255	9.3	93	247	10.9	129	234	13.2	204
	5000	359	6.2	26	351	7.8	41	344	9.6	62	336	11.5	88	328	13.3	122	315	16	189

## MB Series 45

MODEL	SPEED RPM	4"Hg			6"Hg			8"Hg			10"Hg			12"Hg			15"Hg		
		CFM	BHP	°F	CFM	BHP	°F	CFM	BHP	°F	CFM	BHP	°F	CFM	BHP	°F	CFM	BHP	°F
<b>MB 4504</b>	2000	181	1.8	26	173	2.7	44	165	3.7	68	157	4.6	98	149	5.5	137	135	6.9	227
	3000	286	2.8	25	278	4.2	42	270	5.6	63	262	7	89	254	8.4	123	240	10.5	195
	4000	391	3.8	25	383	5.7	42	375	7.7	62	367	9.6	87	359	11.5	119	345	14.3	186
<b>MB 4506</b>	2000	273	2.7	26	261	4.1	44	250	5.5	67	239	6.8	96	227	8.2	135	207	10.3	222
	3000	431	4.2	25	419	6.2	42	408	8.3	62	397	10.4	88	385	12.5	121	365	15.6	191
	4000	589	5.6	25	577	8.5	41	566	11.3	61	555	14.1	85	543	16.9	116	523	21.2	181
<b>MB 4509</b>	2000	410	4.1	26	393	6.1	44	376	8.2	66	360	10.2	95	342	12.2	133	313	15.3	219
	3000	646	6.2	25	629	9.3	41	612	12.4	62	596	15.5	87	578	18.6	120	549	23.2	189
	4000	882	8.4	24	865	12.6	41	848	16.7	60	832	20.9	84	814	25.1	115	785	31.4	179
<b>MB 4512</b>	2000	549	5.4	26	527	8.2	43	506	10.9	66	485	13.6	94	462	16.3	132	424	20.4	215
	3000	864	8.3	25	842	12.4	41	821	16.5	61	800	20.6	87	777	24.8	119	739	30.9	187
	4000	1179	11.2	24	1157	16.7	40	1136	22.3	60	1115	27.9	84	1092	33.5	114	1054	41.8	178
<b>MB 4518</b>	2000	828	8.2	25	796	12.3	43	765	16.3	65	734	20.4	93	701	24.5	130	646	30.6	212
	3000	1301	12.4	25	1269	18.5	41	1238	24.7	61	1207	30.9	86	1174	37.1	118	1119	46.4	186
	4000	1774	16.7	24	1742	25	40	1711	33.4	59	1680	41.7	83	1647	50.1	113	1592	62.6	176

## MB Series 60

MODEL	SPEED RPM	4"Hg			6"Hg			8"Hg			10"Hg			12"Hg			15"Hg		
		CFM	BHP	°F	CFM	BHP	°F	CFM	BHP	°F	CFM	BHP	°F	CFM	BHP	°F	CFM	BHP	°F
<b>MB 6010</b>	1500	610	9.7	44	581	12.9	68	552	16.1	98	522	19.4	138	489	22.6	194	471	24.2	230
	2300	1009	15	41	980	20	62	951	25	88	921	30	121	888	35	165	870	37.4	193
	3000	1358	19.7	41	1329	26.3	60	1301	32.9	85	1270	39.5	116	1237	46.1	156	1219	49.4	181
<b>MB 6016</b>	1500	964	14.7	43	928	19.6	65	891	24.6	92	853	29.5	129	811	34.4	178	789	36.8	209
	2300	1571	22.8	41	1535	30.4	60	1498	38	85	1460	45.6	116	1418	53.2	157	1396	57	183
	3000	2102	30.1	40	2066	40.1	59	2030	50.1	83	1991	60.1	113	1950	70.2	151	1927	75.2	175
<b>MB 6024</b>	1500	1490	22.1	41	1445	29.5	62	1399	36.8	88	1351	44.2	122	1299	51.5	166	1271	55.2	195
	2300	2401	34.1	40	2356	45.5	59	2310	56.9	83	2263	68.3	113	2210	79.6	151	2182	85.3	175
	3000	3198	44.9	39	3153	59.9	58	3108	74.9	81	3060	89.9	110	3008	104.8	146	2979	112.3	169

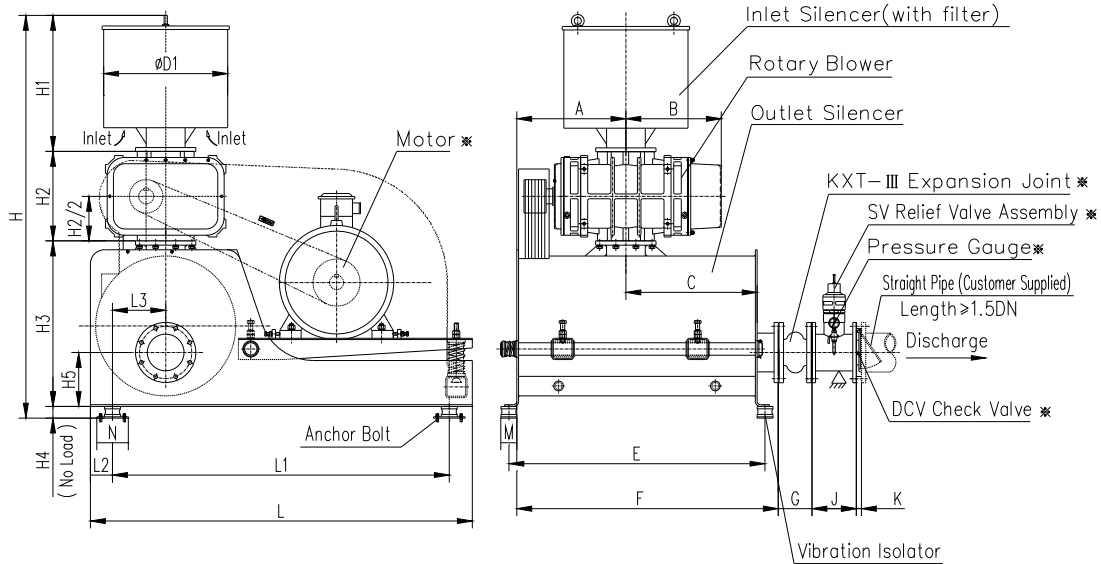
Notes: Vacuum ratings based on inlet air at standard temperature of 68° F, discharge of 30" Hg and specific gravity of 1.0



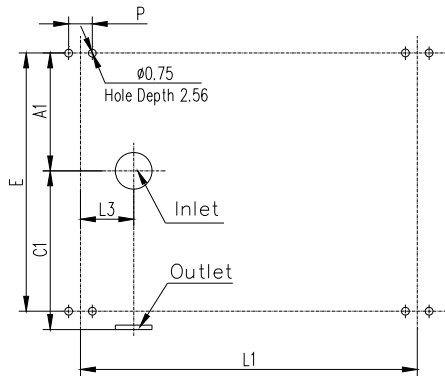
# EurusBlower

## Outline and Installation Drawing for MB30 Series

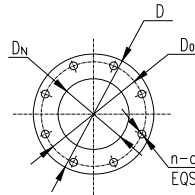
### Pressure Blower Packages



Anchor bolt Hole Placement Diagram



Outlet Flange Specification  
ANSI 150lb



Note : customer provided support  
Unit : inch

Model	A	A1	B	C	C1	E	F	G	J	K	L	L1	L2	L3	H
MB3004			7.36					4.13	5.51	0.71					
MB3006	11.81	13.35	8.35	12.6	15.75	27.48	27.56	4.53	5.91	0.71	39.37	33.46	2.95	3.54	38.54
MB3007			8.84												

Model	H1	H2	H3	H4	H5	M	N	P	D1	D <sub>N</sub>	D <sub>0</sub>	D	n	d	Weight (lbs)
MB3004										$\phi 2.44$	$\phi 4.75$	$\phi 6$			408
MB3006	13.35	6.81	16.18	2.20	7.01	2.6	5.71	4.13	12.54	$\phi 2.94$	$\phi 5.5$	$\phi 7$	4	$\phi 0.75$	426
MB3007															432

Weight without Motor

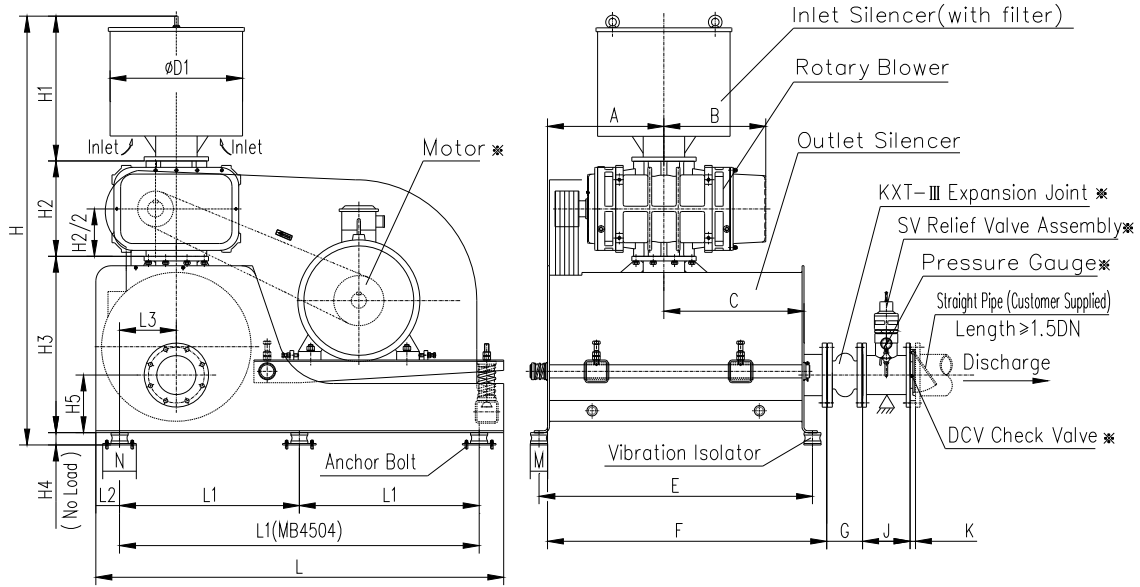
\* Optional Accessories



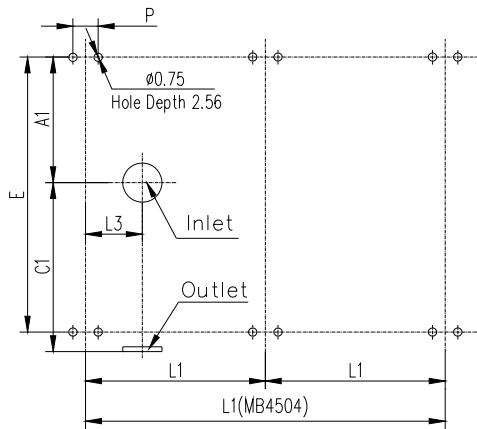
# EurusBlower

## Outline and Installation Drawing for MB45 Series

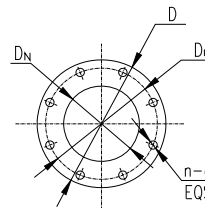
### Pressure Blower Packages



Anchor bolt Hole Placement Diagram



Outlet Flange Specification  
ANSI 150lb



Note :  $\Delta$  customer provided support

Unit : inch

Model	A	A1	B	C	C1	E	F	G	J	K	L	L1	L2	L3
MB4504	11.81	13.35	8.74	12.60	15.75	27.48	27.56	4.53	5.91	0.71	39.37	33.46	2.95	3.54
MB4506	12.13	13.98	9.72	16.06	20.08	31.89	32.20	5.90	7.09	0.71	53.15	23.62	2.95	6.20
MB4509	13.78	15.63	11.22	17.55	22.24	35.04	36.02	6.49	7.87	0.71				
MB4512	15.75	17.60	12.72	20.71	25.59	40.16	41.34	7.08	8.66	0.71	64.57	28.35	3.94	8.46
MB4518	18.70	20.55	15.72	20.51	25.39	42.91	44.09	7.48	9.84	0.90				

Model	H	H1	H2	H3	H4	H5	M	N	P	D1	DN	D0	D	n	d	Weight (lbs)
MB4504	41.57	13.5	9.84	16.18	2.20	7.01	2.60	5.71	4.13	12.54	$\phi 2.94$	$\phi 5.5$	$\phi 7$	4	$\phi 0.75$	705
MB4506	53.94	19.84	9.84	22.05	2.20	8.66	2.60	5.71	4.13	17.32	$\phi 4.57$	$\phi 7.5$	$\phi 9$	8	$\phi 0.75$	745
MB4509											$\phi 5.66$	$\phi 8.5$	$\phi 10$		$\phi 0.875$	843
MB4512	68.4	25.47	11	29.33	2.60	11.42	3.62	7.01	5.28	21.26	$\phi 6.72$	$\phi 9.5$	$\phi 11$	8	$\phi 0.875$	1348
MB4518	73.15	30.08	11.4							27.56	$\phi 8.72$	$\phi 11.75$	$\phi 13.5$			1610

Weight without motor

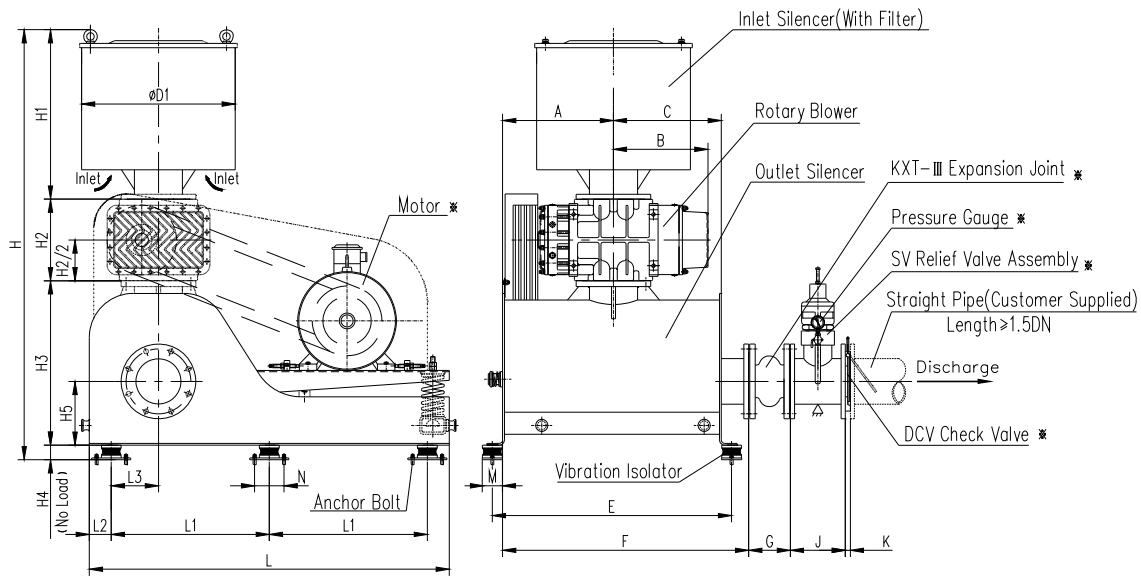
\* Optional Accessories



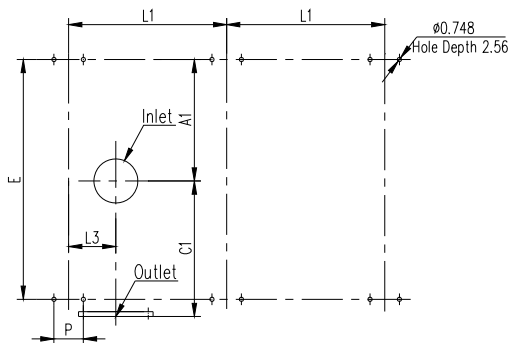
# EurusBlower

## Outline and Installation Drawing for MB60 Series

### Pressure Blower Packages

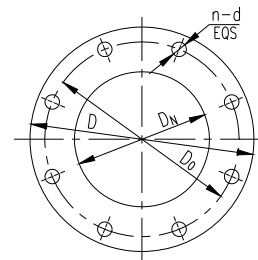


Anchor Bolt Placement Diagram



Outlet Flange Specification

ANSI 150 lb



Note: ⚙ Customer Provided Support  
unit : inch

Model	A	A1	B	C	C1	E	F	G	J	K	L	L1	L2	L3	H
MB6010	17.13	18.98	14.17	19.33	24.21	40.16	41.34	7.08	8.66	0.71	64.57	28.35	3.94	8.46	72.32
MB6016	19.88	21.73	16.93			42.91	44.09	7.48	9.84	0.90					76.93
MB6024	24.21	25.98	20.94	29.13	34.06	56.89	58.27	9.05	11.81	1.77	84.84	37.40	4.92	11.81	85.28

Model	H1	H2	H3	H4	H5	M	N	P	D1	Dn	D0	D	n	d	Weight (lbs)
MB6010	25.59		29.33		11.42				21.26	06.72	09.5	011			1680
MB6016	30.20	14.80		2.60		3.62	7.01	5.28		08.72	11.75	13.5	8	00.875	2035
MB6024	30.98		36.89		12.00				27.56	10.88	14.25	16	12	01.00	3105

Weight without motor

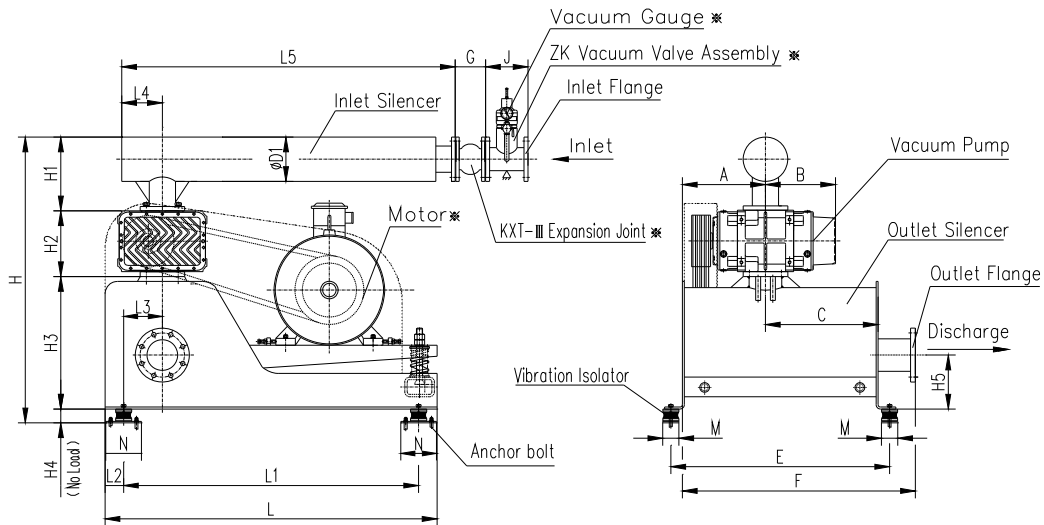
\* : Optional Accessories



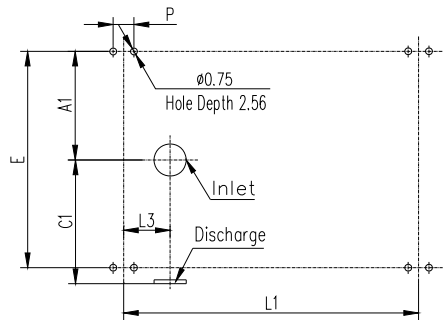
# EurusBlower

## Outline and Installation Drawing for MB30 Series

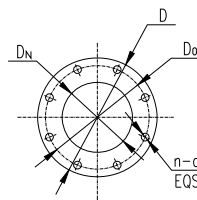
### Vacuum Pump Packages



Anchor bolt Hole Placement Diagram



Inlet and Outlet Flange Specification  
ANSI 150lb



Note : customer provided support  
Unit : inch

Model	A	A1	B	C	C1	E	F	G	J	L	L1	L2	L3	L4	L5
MB3004			7.36					4.13	5.51					4.13	27.56
MB3006	11.81	13.35	8.35	12.6	15.75	27.48	27.56	4.53	5.91	39.37	33.46	2.95	3.54	4.53	31.50
MB3007			8.84												

Model	H	H1	H2	H3	H4	H5	M	N	P	D1	Dn	Do	D	n	d	Weight (lbs)
MB3004										5.51	02.44	04.75	06			408
MB3006	35.83	10.63	6.81	16.18	2.20	7.01	2.6	5.71	4.13	6.50	02.94	05.5	07	4	00.75	426
MB3007																432

Weight without Motor

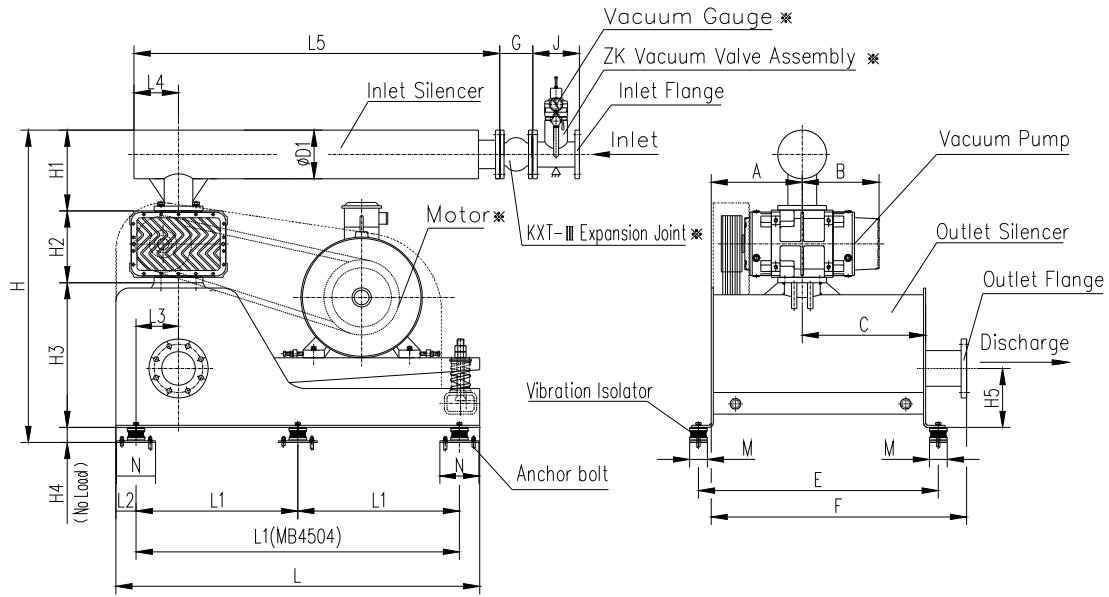
\* Optional Accessories



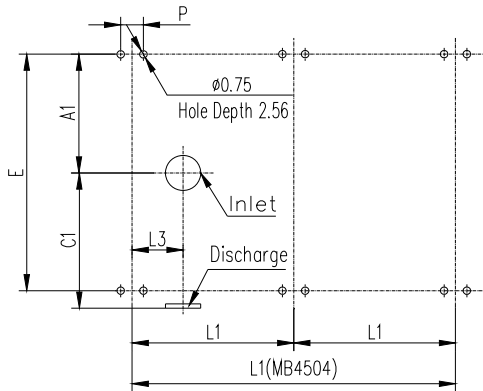
# EurusBlower

## Outline and Installation Drawing for MB45 Series

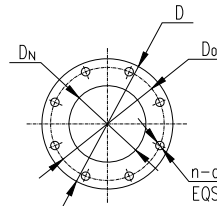
### Vacuum Pump Packages



Anchor bolt Hole Placement Diagram



Inlet and Outlet Flange Specification  
ANSI 150lb



Note :  $\Delta$  customer provided support

Unit : inch

Model	A	A1	B	C	C1	E	F	G	J	L	L1	L2	L3	L4	L5
MB4504	11.81	13.35	8.74	12.60	15.75	27.48	27.56	4.53	5.91	39.37	33.46	2.95	3.54	5.51	31.5
MB4506	12.13	13.98	9.74	16.06	20.08	31.89	32.20	5.90	7.09	53.15	23.62	2.95	6.20	5.91	39.37
MB4509	13.78	15.63	11.22	17.55	22.24	35.04	36.02	6.49	7.87					6.10	51.18
MB4512	15.75	17.60	12.72	20.71	25.59	40.16	41.34	7.08	8.66	64.57	28.35	3.94	8.46	7.09	66.93
MB4518	18.70	20.55	15.72	20.51	25.39	42.91	44.09	7.48	9.84					12.99	74.8

Model	H	H1	H2	H3	H4	H5	M	N	P	D1	DN	D0	D	n	d	Weight (lbs)
MB4504	38.86	10.63	9.84	16.18	2.20	7.01	2.60	5.71	4.13	6.5	02.94	05.5	07	4	00.75	705
MB4506		49.84	12.99	12.6	22.05	2.20	8.66	2.60	5.71	7.48	04.57	07.5	09	8	00.75	745
MB4509										8.46	05.66	08.5	010		00.875	843
MB4512		58.68	15.75	11	29.33	2.60	11.42	3.62	7.01	11.06	06.72	09.5	011	8	00.875	1348
MB4518		60.79	17.72	11.14						12.6	08.72	011.75	013.5			1610

Weight without motor

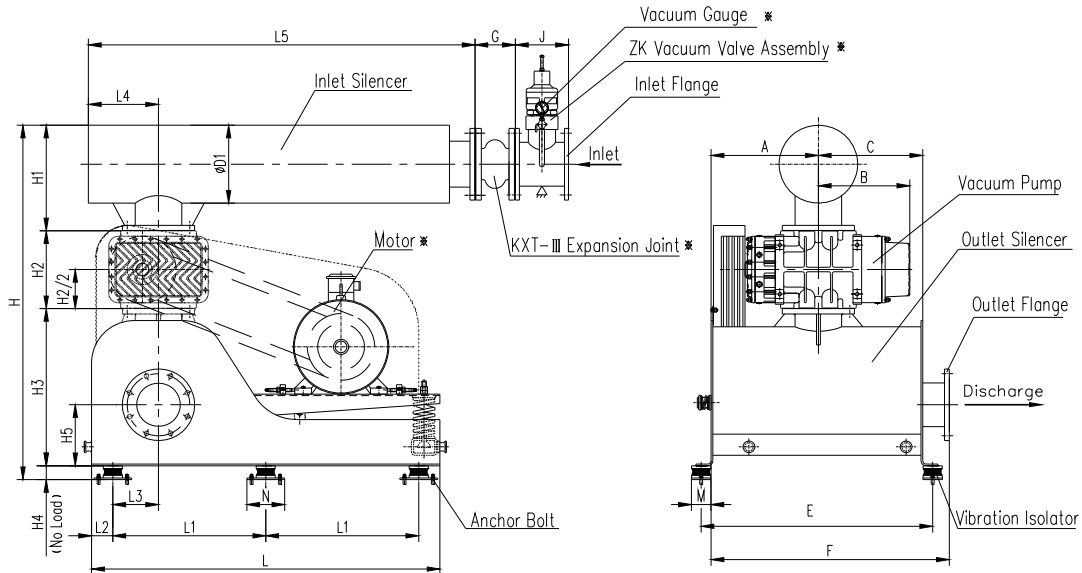
\* Optional Accessories



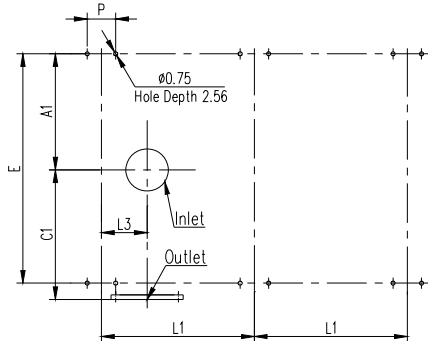
# EurusBlower

## Outline and Installation Drawing for MB60 Series

### Vacuum Pump Packages

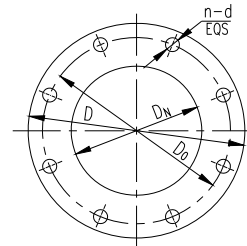


Anchor Bolt Placement Diagram



Inlet And Outlet Flange Specification

ANSI 150 lb



Note : ↗ Customer Provided Support  
unit : inch

Model	A	A1	B	C	C1	E	F	G	J	L	L1	L2	L3	L4	L5
MB6010	17.13	18.98	14.17	19.33	24.21	40.16	41.34	7.08	8.66	64.57	28.35	3.94	8.46	7.09	66.93
MB6016	19.88	21.73	16.93			42.91	44.09	7.48	9.84					12.99	74.80
MB6024	24.21	25.98	20.94	29.13	34.06	56.89	58.27	9.05	11.81	84.84	37.40	4.92	11.81	11.81	82.68

Model	H	H1	H2	H3	H4	H5	M	N	P	D1	Dn	Do	D	n	d	Weight (lbs)
MB6010	62.48	15.75	14.80	29.33	2.60	11.42	3.62	7.01	5.28	11.06	06.72	09.5	011	8	00.875	1680
MB6016	64.45	17.72		36.89						12.01	12.60	08.72	11.75			13.5
MB6024	75.16	20.87								15.98	10.88	14.25	16	12	01.00	3105

Weight without motor

※ : Optional Accessories